

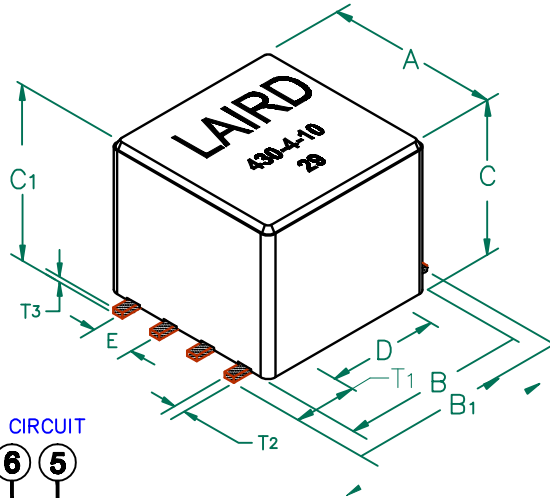
UNCONTROLLED DOCUMENT

29F0430-4SR-10

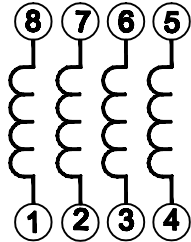


PHYSICAL DIMENSIONS:

A	10.87 [.428]	+ 0.15 [.006]
B	10.87 [.428]	+ 0.15 [.006]
B ₁	13.46 [.530]	MAX
C	8.89 [.350]	+ 0.18 [.007]
C ₁	9.65 [.380]	+ MAX
D	7.62 [.300]	+ 0.13 [.005]
E	2.54 [.100]	+ 0.13 [.005]
T ₁	2.64 [.104]	+ 0.25 [.010]
T ₂	0.64 [.025]	- TYP.
T ₃	0.38 [.015]	+ TYP.



EQUIVALENT CIRCUIT

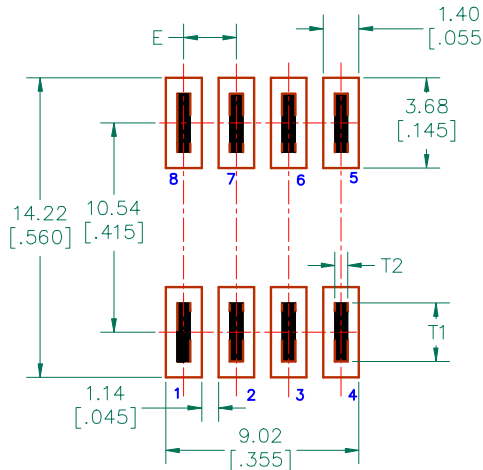


ELECTRICAL CHARACTERISTICS:			
Z @ 100MHz (Ω)	DCR (Ω)	Rated Current	
Nominal	290		
Minimum	218		
Maximum	363	0.01	9,000 mA

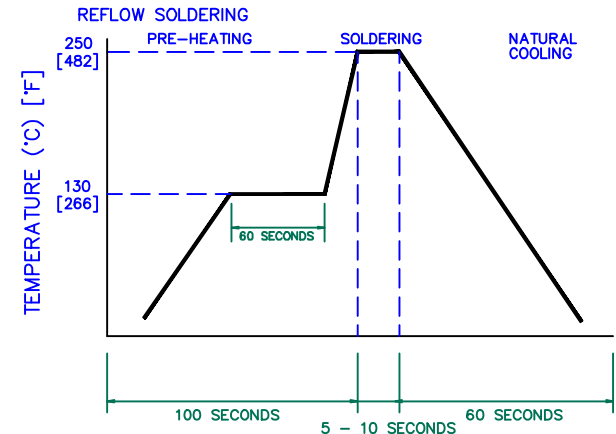
NOTES: UNLESS OTHERWISE SPECIFIED

1. TAPED AND REELED per CURRENT EIA SPECIFICATIONS 13" REELS, 400 PCS/REEL.
2. COMPONENTS SHOULD BE ADEQUATELY PREHEATED BEFORE SOLDERING.
3. REF. CARRIER TAPE SPECIFICATION #CART430-43.
4. TERMINATION FINISH IS 100% TIN.
5. THIS PART HAS NO PIN POLARITY.

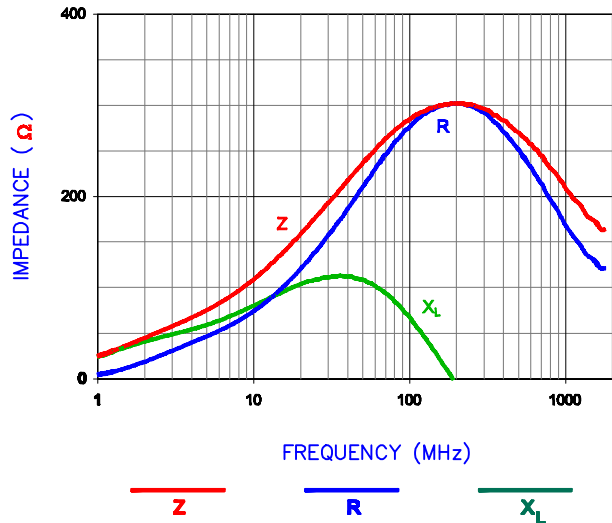
LAND PATTERNS FOR REFLOW SOLDERING



RECOMMENDED SOLDERING CONDITIONS



|Z|, R, AND X vs. FREQUENCY



HP 4396A Network/Spectrum Analyzer
HP 43961A Impedance Test Kit, HP 16192A Test Fixture



DIMENSIONS ARE IN MM [INCHES].		This print is the property of Laird Tech. and is loaned in confidence subject to return upon request and with the understanding that no copies shall be made without the written consent of Laird Tech. All rights to design or invention are reserved.	
C	UPDATE COMPANY LOGO UPDATE ROHS SYMBOL, CHG KAPTON LABEL ADD EC	10/27/08	JRK
B	UPDATE COMPANY LOGO	05/02/07	JRK
A	ORIGINAL DRAFT	05/14/04	JRK
REV	DESCRIPTION	DATE	INT
PROJECT/PART NUMBER:		29F0430-4SR-10	
SCALE:	NTS	REV	C
DATE:	05/14/04	SCALE:	NTS
GAD #	29F0430-4SR-10-C-2	TOOL #	H0431
		DRAWN BY: JRK	
		SHEET: 2 OF 3	

